

Caframo® LabSolutions

3030 Universal

Accomodate changing application needs with power and control offered in Caframo's Universal significant torque and speed capabilities. A great fit for viscous mixing at higher speeds.

High performance brushless DC motor provides maintenance free operation. Track a change in viscosity throughout the mixing process with the unique torque zero feature. The Universal offers versatile features for success in a range of applications.

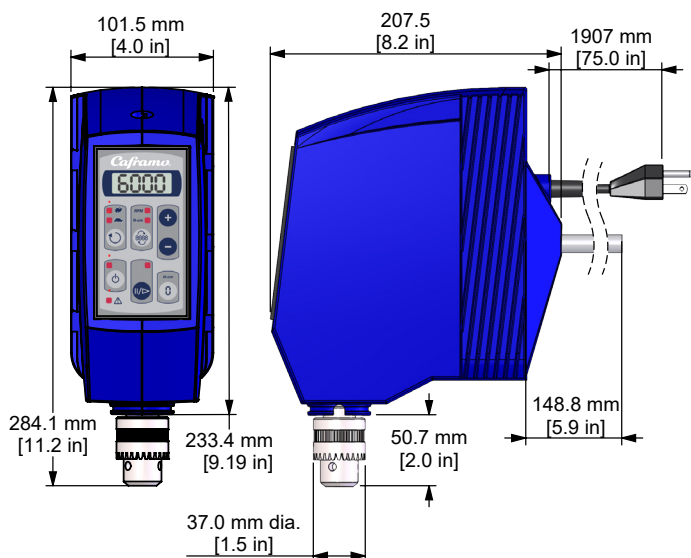
Key Specifications:

| | |
|---------------|---------------------|
| Speed Range | • 20 - 3000 rpm |
| Max Torque | • 339 Ncm |
| Max Viscosity | • 50,000 cP |
| Output Power | • 1/5 hp, 150 watts |
| Max Volume | • 60 litres |

Versatile
Efficient
Unbeatable Quality



3030 Universal



Additional Specifications:

| | |
|---------------------|--|
| Input Power | 120 volts, 60 Hz or 220-240 volts, 50/60 Hz |
| Motor | Brushless DC |
| Weight | 6.82 kg |
| Display | Digital display, keypad |
| Mounting | 12.5 mm dia support rod |
| Impeller Adjustment | Through shaft |
| Impeller Attachment | Keyed chuck, accepts shafts up to 10 mm dia |
| Includes | Calibration certificate, chuck, chuck guard, chuck key, support rod and power cord |
| Approvals | CSA listed to Canada and US standards. |
| Warranty | Three years |

Features and Benefits:

2-Speed Transmission

- Smart automatic transmission selects high-torque or high-speed range
- Maintenance free
- Quiet, dependable

Digital Display

- Toggle between both speed and torque values
- Precise speed settings
- Accurate repeatability

Versatile

- Wide speed range
- Adjustable chuck
- Through shaft

Applications:

- Personal care formulation
- Paints and coatings
- Raw material QC
- Pharmaceutical products
- Polymers and epoxies

Mix
Personal
Care
Beautifully!



Cosmetic lotion emulsions

Caframo[®]
LabSolutions

1-800-567-3556 ext 248
CaframoLabSolutions.com
501273 Grey Road 1, Georgian Bluffs ON N0H 2T0 Canada